

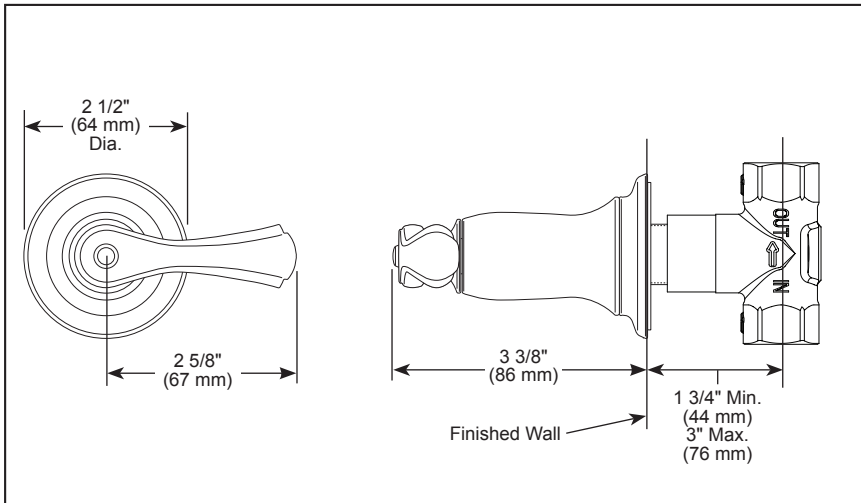
BRIZO®

SENSORI® VOLUME CONTROL TRIM

- Siderna® Bath Collection
- Volume Control Trim

STANDARD SPECIFICATIONS

- Must also order R35600 Rough-In.
- 90° handle rotation controls volume only.
- Volume control flows up to 16.2 gpm @ 60 psi
- Maximum flow 8.2 gpm @ 60 psi per volume control when paired with Sensori Thermostatic trim.
- Volume controls are required for every outlet and every set of body sprays (up to max flow).
- Adjusts for wall thickness variations.
- All parts are replaceable from the front.
- Recommended working pressure of 45-80 PSI.
- Volume control only; must be used with temperature control device.
- Rough can accommodate up to 3 1/4" wall thickness. NOTE: some applications may require stem extender RP100304.




▲ Designate proper finish suffix

WARRANTY

- Parts and Finish - Lifetime limited warranty; or for commercial purchasers, 10 years for multi-family residential (apartments and condominiums) and 5 years for all other commercial uses, in each case from the date the product is received by the original purchaser or their authorized representative (installation contractor, etc.).
- Please go to www.brizo.com for the complete details of our limited warranty.

COMPLIES WITH:

- ASME A112.18.1 / CSA B125.1
-  ICC/ANSI A117.1

Brizo Kitchen & Bath Company reserves the right (1) to make changes in specifications and materials, and (2) to change or discontinue models, both without notice or obligation. Dimensions are for reference only. See current full-line price book or www.brizo.com for finish options and product availability.

Brizo Kitchen & Bath Faucet Company
 55 E. 111th Street, Carmel, IN 46280
 350 South Edgeware Road, St. Thomas, ON N5P 4L1
 © 2025 Brizo Kitchen & Bath Faucet Company